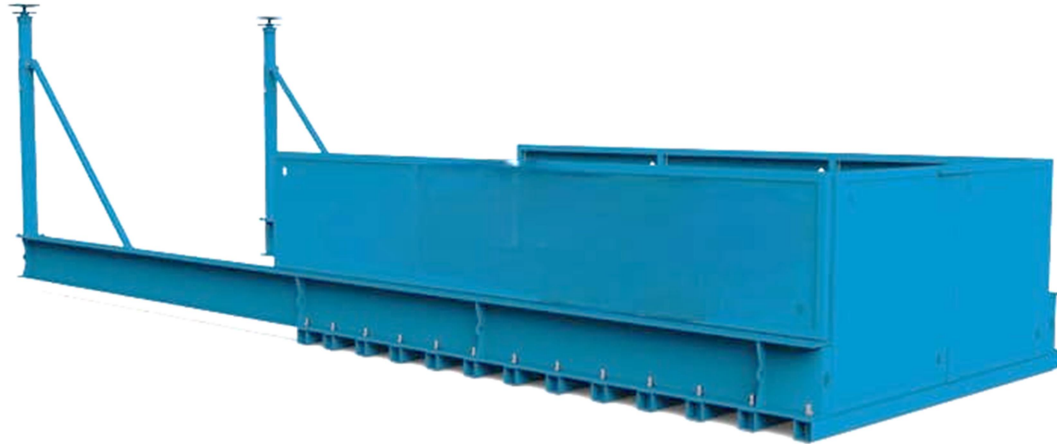


# TEKLIFT

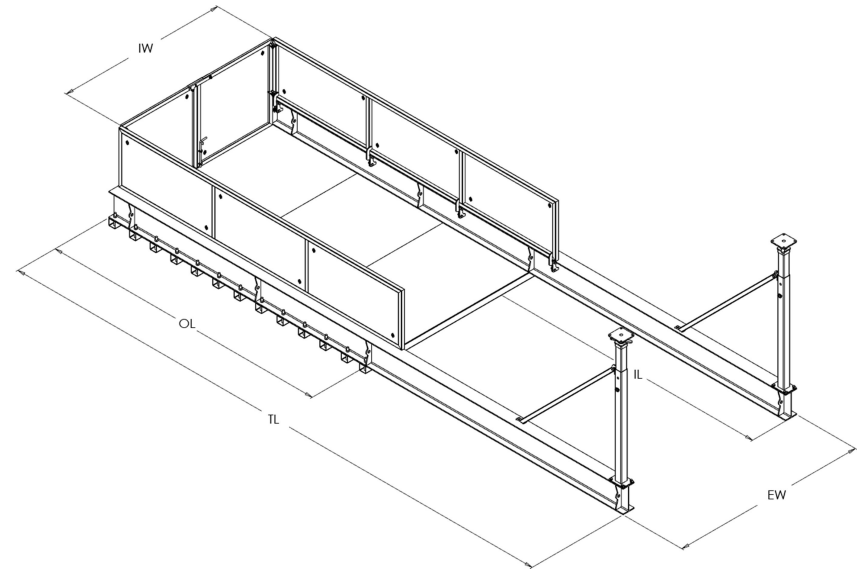
## FIXED LOADING PLATFORM

---



## Product Information Specification

Item	Product Code
TEKLIFT 4.5	TL20



<sup>1</sup>Working Load Limit

Product Code	External Width	Internal Width	Outboard Length	Total Length	Weight	WLL <sup>1</sup>
TL20	3900mm	3600mm	4000mm	6000mm	2900kg	4500kg

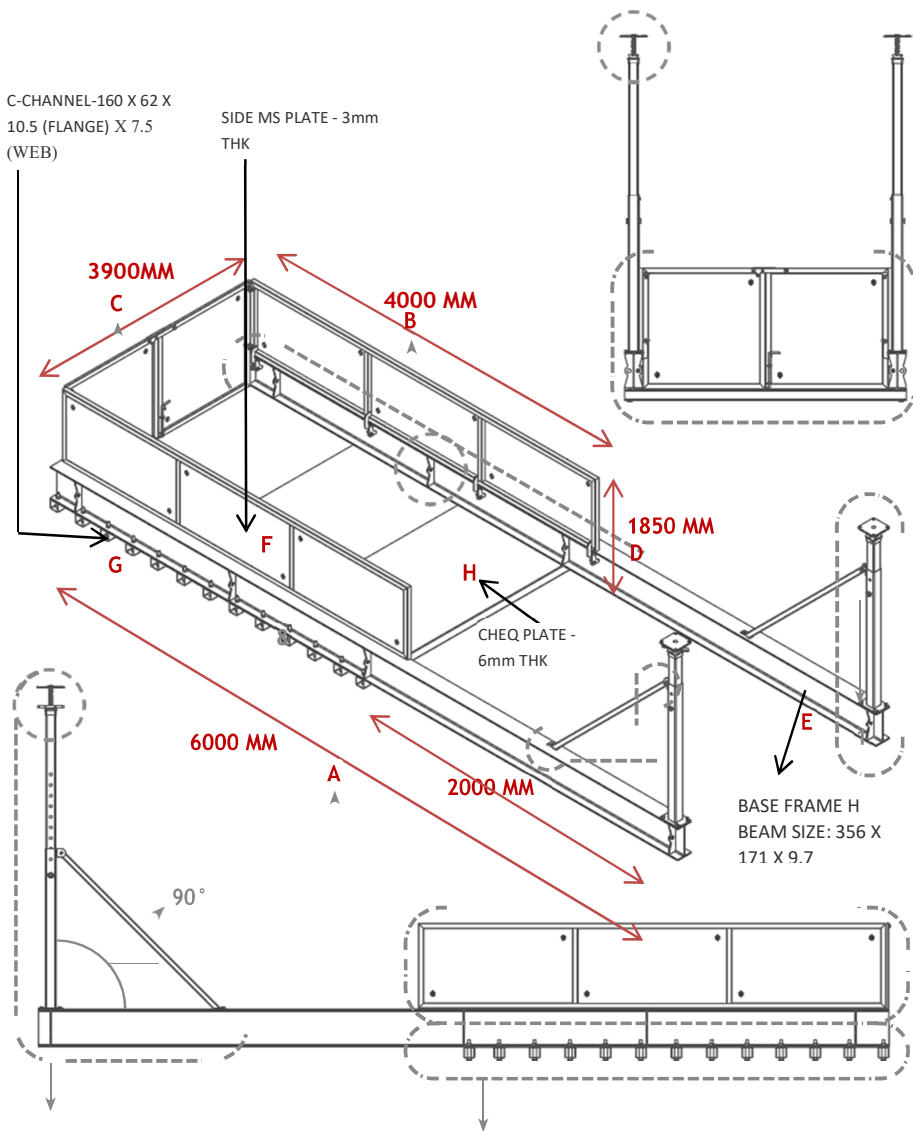
## Product Information Overview

TEKLIFT is a crane loading platform used for moving equipment and materials efficient in and out of structures during construction.

It is ideal for situations where reduced head room places working height at a premium, and where maximum clearance is essential. The deck of the platform is suspended from the base of the main load-bearing beam, giving a true level, or 'flush' transition from the floor of the structure to the loading area.

### Key Benefits

- Fastest loading bay for relocation and installation.
- Large working load capacity and available with multiple configurations to suit most applications.
- Available in a variety of sizes, with bespoke solutions to suit requirements.
- Unique single prop design reduces the weight of the deck and the reaction loadings.
- Quick and simple to install and relocate.
- All installation and relocation training can be provided by our on-site training team.



## PRODUCT DETAILS

OVERALL DIMENSIONS	DESCRIPTION
6000 MM	A-TOTAL LENGTH OF BEAM
4000 MM	B-BUCKET LENGTH OF PLATFORM
3900 MM	C-TOTAL OUTER WIDTH OF PLATFORM
1850 MM	D-OVERALL HEIGHT OF PLATFORM
4.5 TON	CAPACITY

## MATERIAL SPECIFICATIONS

MATERIAL DESCRIPTION	
BASE FRAME H BEAM SIZE: 356 X 171 X 9.7	E-HIGH BEAM
SIDE MS PLATE - 3mm THK	F-SIDE PLATE MS SHEET
C-CHANNEL-160 X 62 X 10.5 (FLANGE) X 7.5 (WEB)	G-C CHANNEL
CHEQ PLATE - 6mm THK	H-CHEQUE PLATE

